

Drivers MGL0027/ MGL0028 Leading-edge and trailing-edge phase dimmer MDL68 downlight family

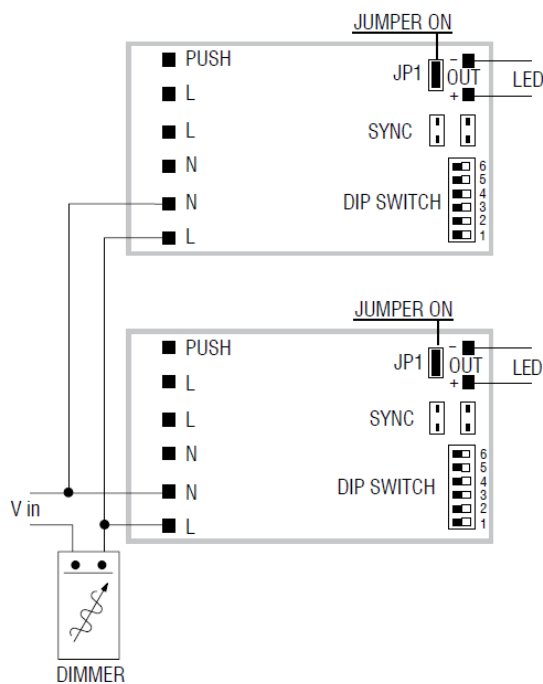
Product information

The drivers MGL0027 und MGL0028 allow the dimming of MDL68 individual luminaires or groups of luminaires - depending on the size of the downlights - with leading-edge and trailing-edge phase dimmers.

Several configurations of dimmer models from different manufacturers were tested in the laboratory. The configurations that allow a troublefree operation are shown on the MGL website http://www.mgl-lighting.com/downloads/mdl68/MGL_MD68_Drivers_eng.pdf

The connection on the primary and secondary side is made according to the wiring diagram printed on the proper driver.

Wiring diagram Leading-edge and trailing-edge phase dimming



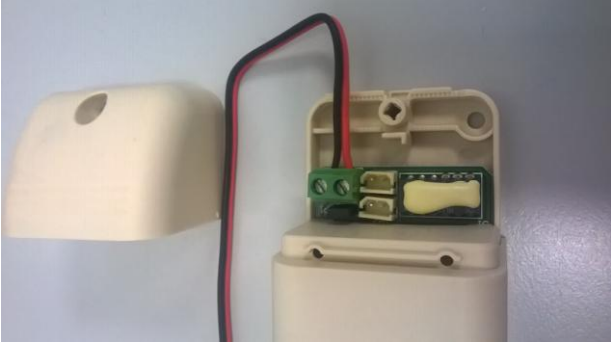
In addition to the leading- and trailing-edge dimming, the same driver can also be used as “Pushdim” driver.

In that case, a 230V pulse is given on the primary side via a separate phase on the foreseen input.

In addition, a jumper inserted on the other side of the driver below a cover must be removed. If this jumper is not removed, the “Pushdim” mode does not work!

Please take this into account and transfer this information if necessary to your sales force and clients, in order to avoid eventual claims.

Picture: Driver with inserted jumper



Picture: Removal of jumper



Picture: Driver without jumper



Wiring Diagram: „Pushdim“

